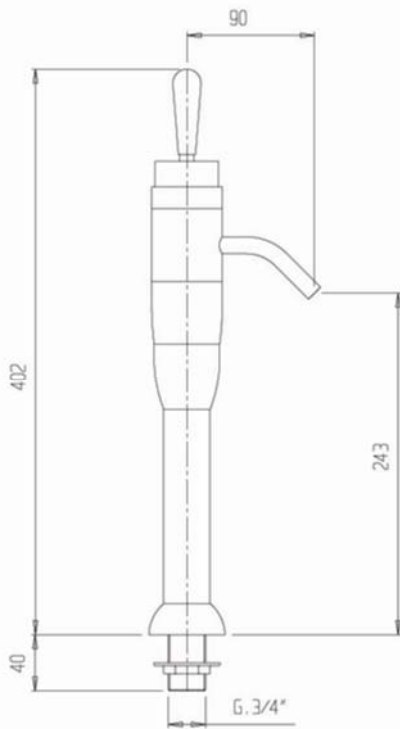




JOYSTICK

Typology:	Over counter
S.S. Pipe size:	O.D. 3/8" in
Net Weight:	5,29 lb
Materials:	Robust Stainless steel frame
Dispensing area height	9.6 in
Dimensions: (L X W X H)	3.9 x 3.9 x 15.8 in
Packaging dimensions (L X W X H):	4.7 x 4.7 x 28.4 in
Mechanical outlet taps	
Can be connected to any type of undercounter	
Max inlet H ₂ O pressure: 3.5 bar	

For a proper installation of the system, the use of the Water Block is compulsory.



Associations:

Blupura Srl - Italy | T. +39 071 971 0080
info@blupura.com | www.blupura.com

Blupura USA Inc. - USA | T. +1 305 777 3591
blupurausa@blupura.com

Certifications:

